

# HBF

series

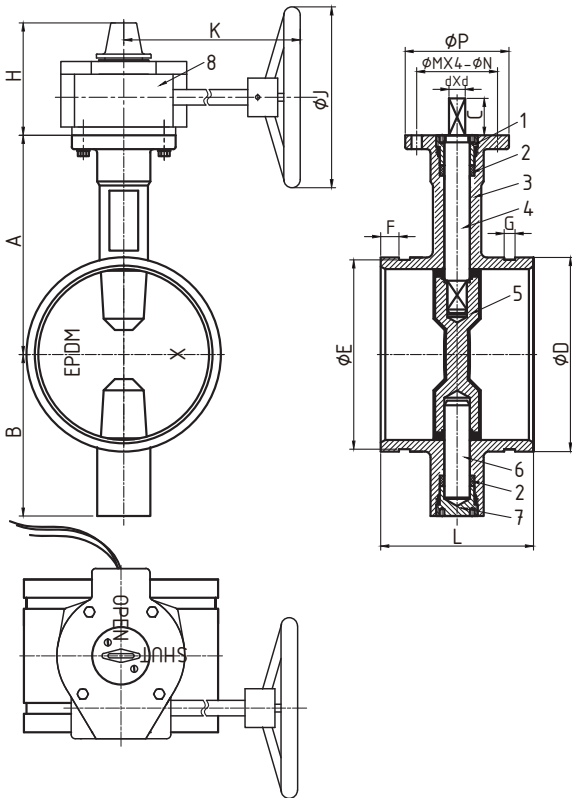


## UL Butterfly Valve – Grooved Ends

- Size: 2"(DN50) to 12"(DN300)
- Working Pressure: 300 PSI
- Test Pressure: 600 PSI
- Working Temp.: 0°C to 80°C (32°F to 176°F)
- Valve Standard: UL1091&ULC/ORD-C1091
- Top Flange Standard: ISO 5211
- Connection Standard: ANSI/AWWA C606
- Test Standard: UL1091&ULC/ORD-C1091



**HBF-300G**



ITEM	PARTS	MATERIAL
1	UPPER SHAFT SEALING NUT	WCB
2	SHAFT SEAL	EPDM
3	BODY	DI
4	UPPER SHAFT	SS416
5	DISC	DI+EPDM
6	LOWER SHAFT	SS416
7	LOWER SHAFT SEALING NUT	WCB
8	SIGNAL GEARBOX	DI

SIZES		DIMENSIONS (MM)														
Inch	mm	A	B	C	D	E	F	G	H	K	J	P	M	N	d	L
2.5"	DN 65	125	95	32	76.1	72.1	15.9	7.9	111	234	152	90	70	9	10	96.4
3"	DN 80	140	100	32	88.9	84.9	15.9	7.9	111	234	152	90	70	9	11	97
4"	DN 100	160	100	32	114.3	110.1	15.9	9.5	111	234	152	90	70	9	14	115.1
5"	DN 125	170	125	32	141.3	137	15.9	9.5	111	234	152	90	70	9	14	132.4
6"	DN 150	190	140	32	168.3	164	15.9	9.5	111	234	200	90	70	9	16	132.4
8"	DN 200	230	175	32	219.1	214.6	19	11.1	126	230	290	125	102	12	19	147.4
10"	DN 250	260	200	45	273	268.3	19	12.7	126	230	290	125	102	12	22	159
12"	DN 300	300	240	45	324	318.3	19	12.7	161	249	350	150	125	14	24	165